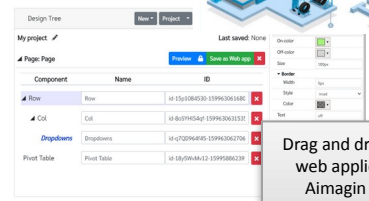


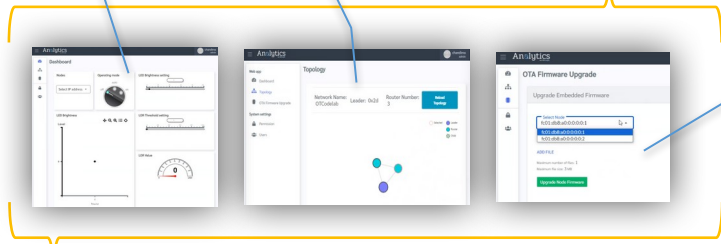
# Ultra-low power (Thread) demo

**Configuration via web application.**  
**Tune parameters**  
 Change mode (**ON**: LED always on, **OFF**: LED always off, **AUTO**: LED on according to ambient light level), set ambient light AUTO ON/OFF threshold, set LED brightness level.  
**Monitor signals**  
 Ambient brightness level.

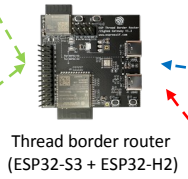
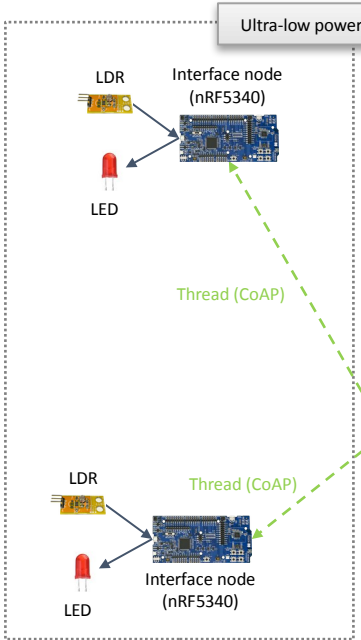


**Visualize Thread network topology.**

Drag and drop to build a web application with Aimagin Connect.



**Update firmware of any node.**



WIFI STA Mode  
HTTPS/VPN



WIFI  
HTTPS/VPN

WIFI AP Mode  
HTTPS

